

# SPAN™

## SANITARY GAUGE

SPAN Sanitary Gauges provide a Tri-Clamp® process connection with a 2-1/2" or 3-1/2" dial size.

### FEATURES

- **CASE MATERIAL**  
Zytel nylon for corrosion resistance
- **BEZEL MATERIAL**  
Polished Stainless Steel
- **INTERNAL COMPONENTS**  
316 Stainless Steel
- **INTERNAL BREATHING DIAPHRAGM**  
Reduces temperature effects and Zero Shift
- **FILL FLUID**  
Glycerin, "No-Bubble"
- **3A APPROVED DIAPHRAGM SEAL**

### SPECIFICATIONS

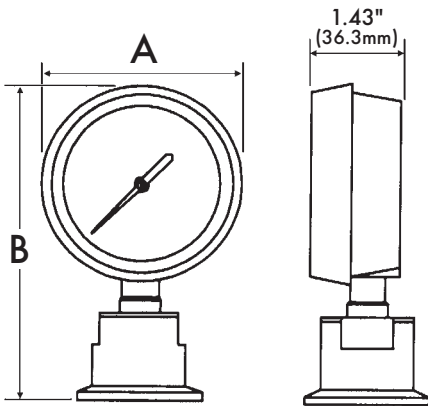
- **ACCURACY**  
±1% of scale
- **PROCESS CONNECTION**  
1.5", 2", 2.5", 3" or 4" Tri-Clamp® Stem or center back
- **PRESSURE RANGES AVAILABLE**  
30" Hg to 600 PSI
- **OPERATING TEMPERATURES**  
40° to 260°F

### FILL FLUID OPTIONS

- **NEOBEE OIL** (Standard Fill)
- **VEGETABLE OIL**
- **FOOD GRADE SILICONE**
- **GLYCERIN**

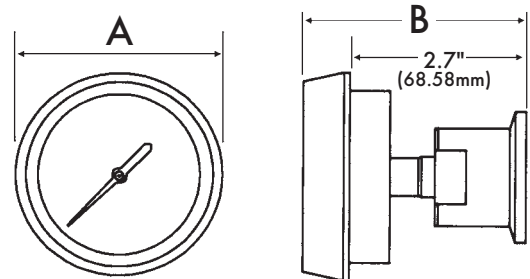


SPAN SANITARY LIQUID FILLED GAUGE ▲



STEM MOUNTED  
SANITARY GAUGES

STEM MOUNTED STANDARD GAUGE SIZES		
	2.5"	3.5"
<b>A</b>	3.2"	4.2"
	(81.28mm)	(106.68mm)
<b>B</b>	5.1"	6.1"
	(129.54mm)	(154.94mm)
CENTER BACK MOUNT- ED STANDARD GAUGE SIZES		
	2.5"	3.5"
<b>A</b>	3.2"	4.2"



CENTER BACK MOUNTED  
SANITARY GAUGES