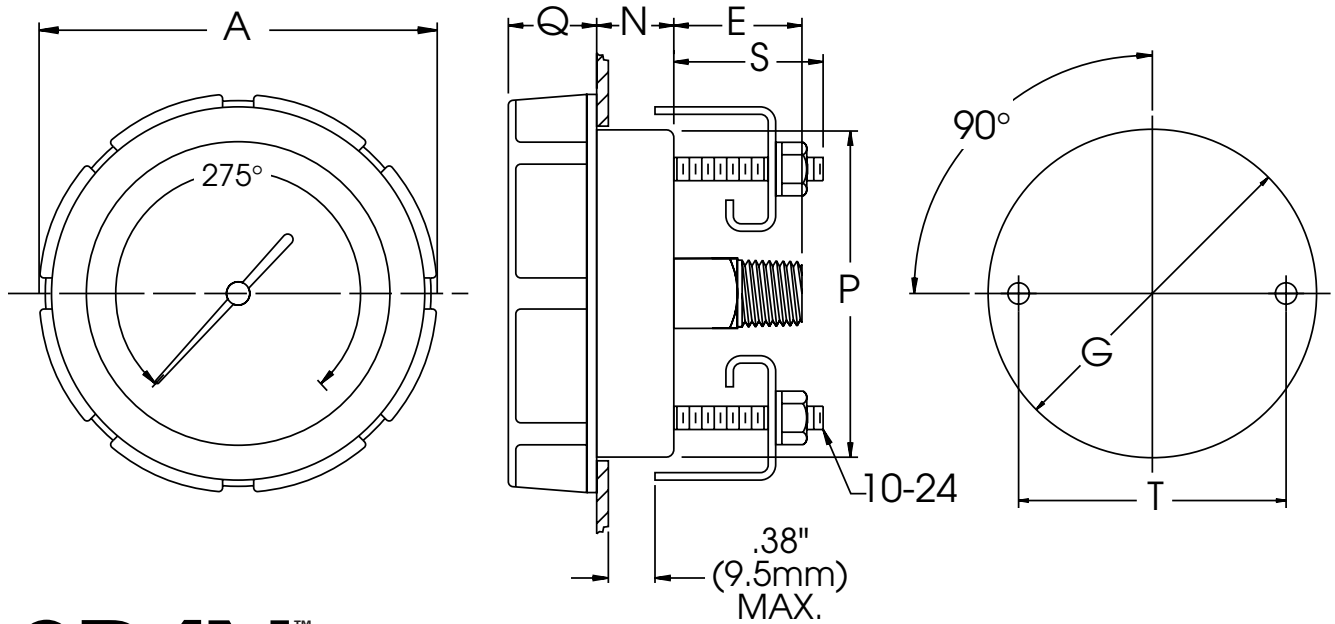


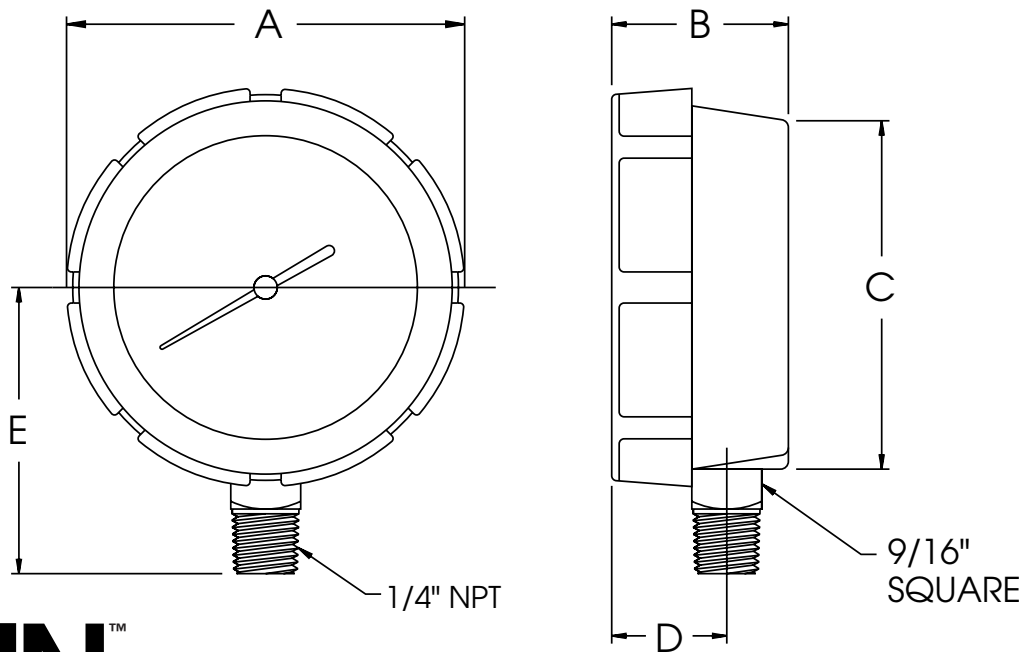
STANDARD CASE DIMENSIONS



SPAN™

CENTER BACK MOUNTED
GAUGES

DIAL SIZE	A	E	G	N	P	Q	S	T
2 1/2"	3.23"	1.06"	2.69"	0.62"	2.63"	0.71"	1.20"	2.15"
3 1/2"	4.23"	1.06"	3.78"	0.62"	3.73"	0.71"	1.20"	3.18"
4 1/2"	5.30"	1.06"	4.85"	0.62"	4.80"	0.71"	1.20"	4.25"



SPAN™

STEM MOUNTED
GAUGES

DIAL SIZE	A	B	C	D	E
2 1/2"	3.20"	1.41"	2.80"	0.90"	2.30"
3 1/2"	4.20"	1.41"	3.81"	0.90"	2.87"
4 1/2"	5.20"	1.41"	4.83"	0.90"	3.50"